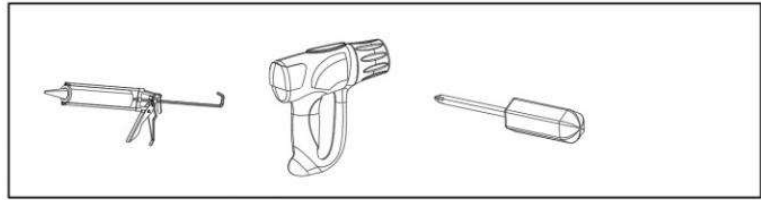
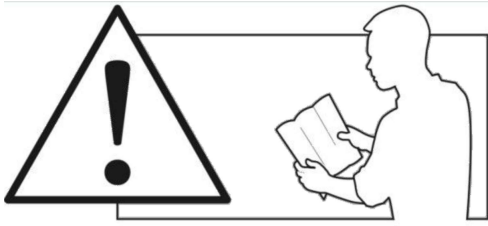


# Adventurer 450 x 400 Rooflight

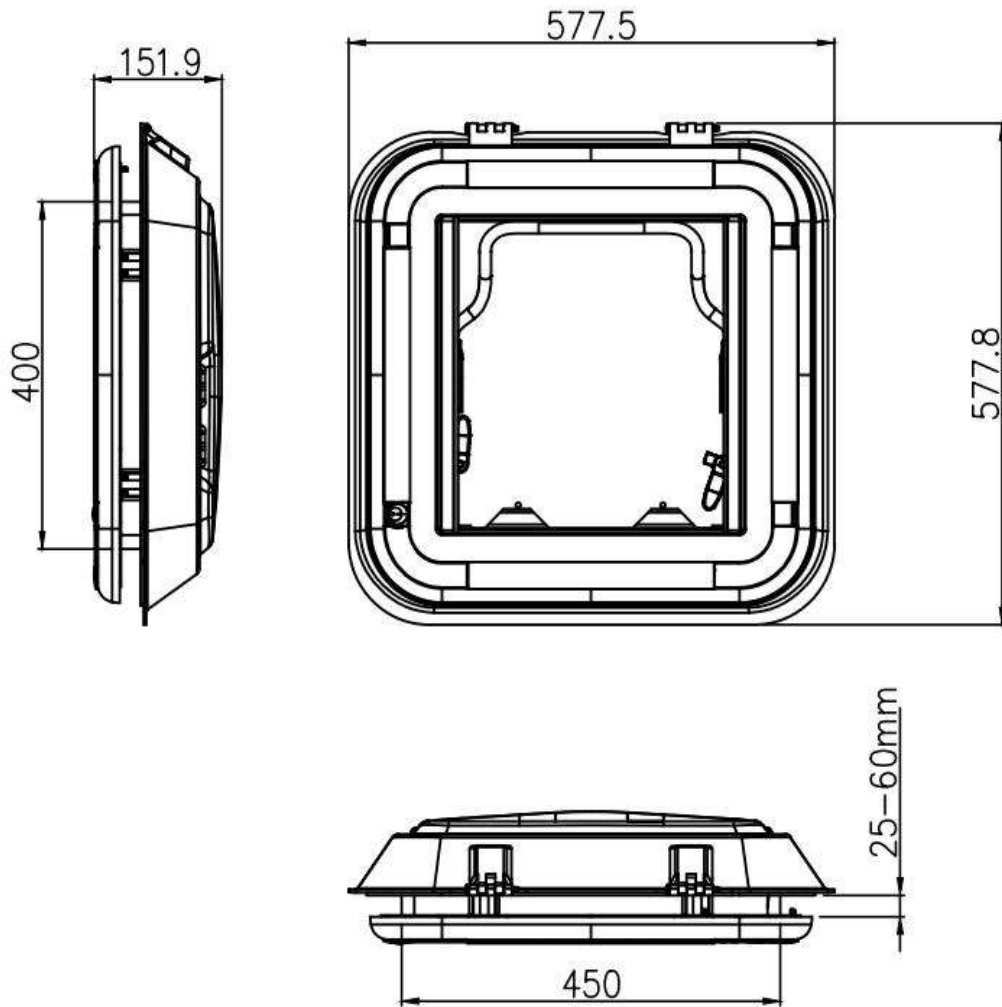
## Installation Guide





Screw specifications	For curtain installation	For wall board installation	For pressing plate installation
Philip's flat head screws	PA-4* 12	PA-4*18	PA-4*45
Quantity	8	20	20

Unit: mm



# 1.Steps of Installation

## Installation Guide for AD450x400

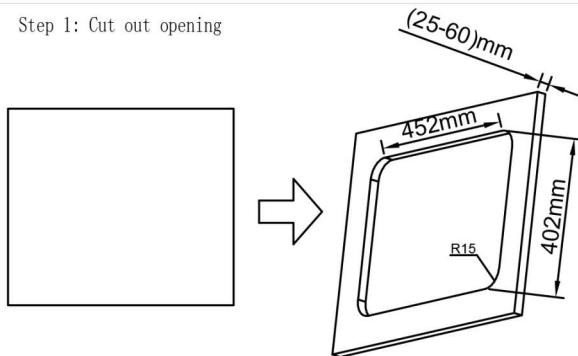
※ Please read the installation instructions carefully before installation. Improper installation may cause physical injury or property damage.

※ Installation Instructions for Skylight

1. We recommend assembling the frame and curtains of RSL450400 in authorized professional workshops.
2. Please read and follow these instructions before installation.
3. The manufacturer will not assume any warranty responsibility for any damage or injury caused by improper installation and/or operation.

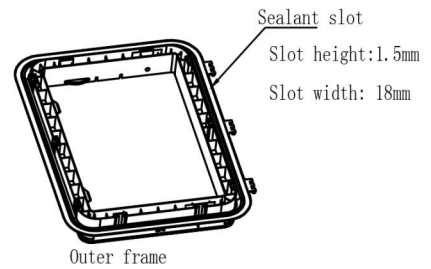
### ※ Installation Steps

Step 1: Cut out opening



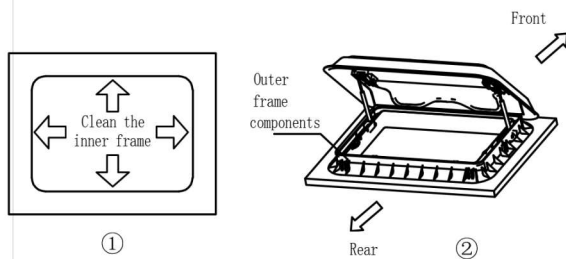
Note: Please leave a wire slot in the roof;

Step 2: Apply sealant into the outer frame slot



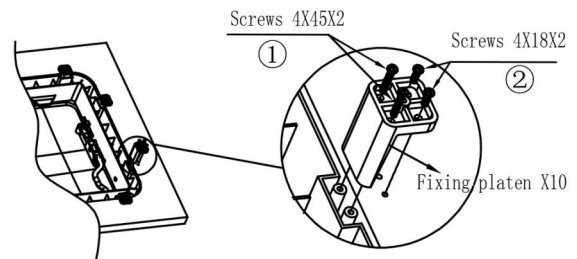
Note: Clean the surface of the product with a rag before applying the sealant, but do not use any alcohol.

Step 3: Clean the inner frame of the wooden board and assemble the outer frame of the wooden board



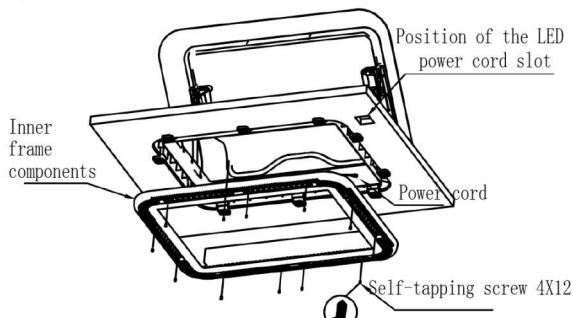
Note: The direction of the skylight shall be aligned following the diagram;

Step 5: Fix the inner frame (at a max torque of 1.1N.m)



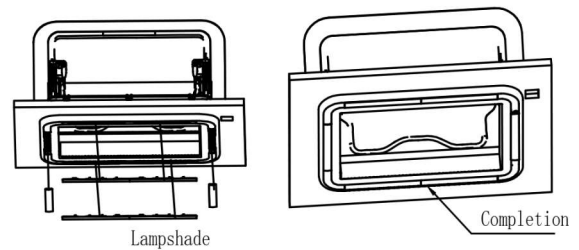
Note: First fix the platen to the board with screws (4\*18), then drive screws (4\*45) to insert into the stud holes of the outer frame (with a mild torque).

Step 5: Fix the inner frame (at a max torque of 1.1N.m)



Note: The red line is the positive pole and the black line is the negative pole. (Acceptable voltage : 12V-14V)

Step 6: Install the lampshade



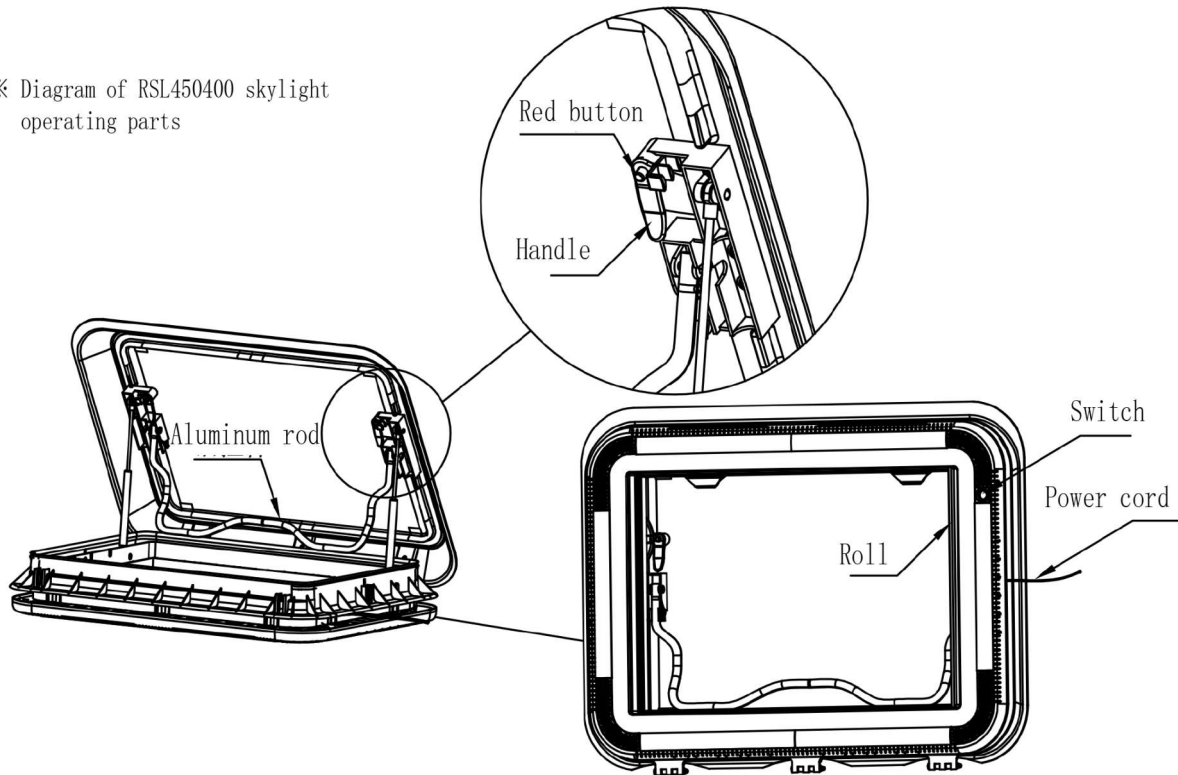
Note: Mind the orientation of the lampshade. Make sure that the arc of the lampshade matches the external shape of the frame.

## 2. Instructions for use

### ※ Operation Instructions for RSL450400 Skylight

1. When opening the window cover, press and hold the red buttons on both latches, turn the handle, and gently push the window outward. (Note: The support rod is an air spring structure. The window can be pushed open by pulling the aluminum rod gently upward.)
2. The curtain components are composed of a sunshade curtain and an anti-mosquito net, and the rolls at both ends contains magnetic strips. Apply only light force when pulling the rolls.
3. When closing the window, check that the sunshade and anti-mosquito net are properly put away. Then pull the handles on the latches to close the window. Then press and hold the red buttons on both latches and turn the handle to lock the window.

### ※ Diagram of RSL450400 skylight operating parts



### ※ Maintenance:

1. Do not use alcoholic cleaning products as they may damage the acrylic material.
2. Do not leave the window frame in a highly corrosive environment in case of damage.