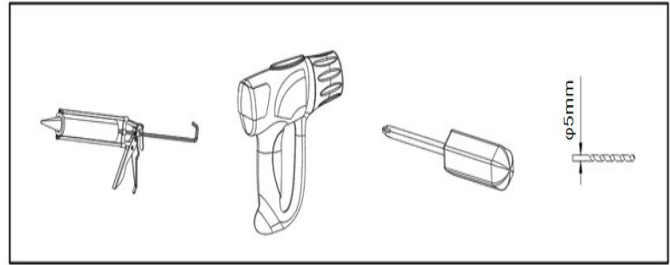
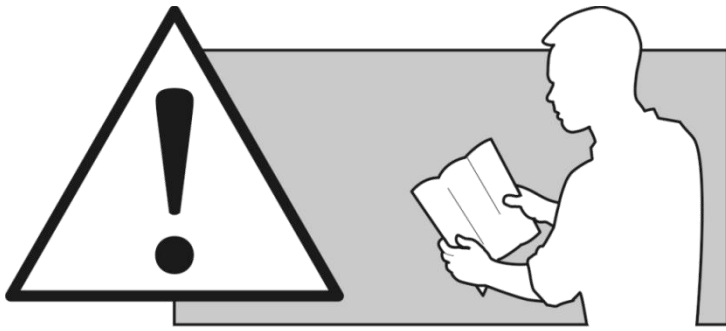


# Fan Assisted Roof Light - 320

## Installation and User Guide

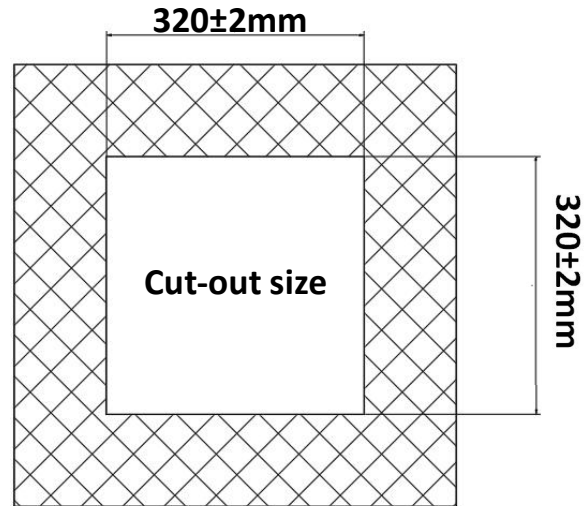


Product Code: AD322322



## I. Performance

Voltage (V)	12V
Current (A)	0.56A
Power (W)	6.7W
Ventilating volume (CFM)	150CFM
Maximum opening angle (°)	≤50°
Overall size (mm)	410*410mm
Area of forced ventilation	160cm <sup>2</sup>
Height above roof	85±2mm
LED	7000K



## II. Steps of installation

**Step 1**  
 Note: Dust on the product should be cleaned before silicon resin is applied.

**Apply silicon resin**

**Product**

**Front**

**Rear**

**Wall**

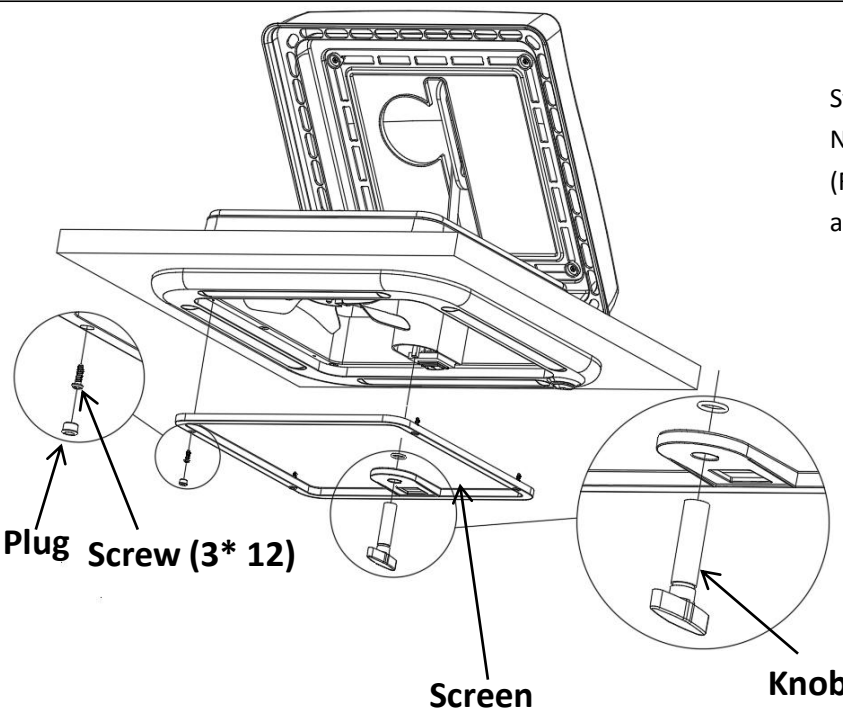
**Step 2**  
 Note: Dust and scraps near the cutout should be cleaned before installation.

**Screw (4\* 35)**

**Step 3**  
 Note: A torsion of 1N.m is recommended.  
 (For reference only. The torsion may be adjusted as necessary.)

Step 4

Note: A torsion of 1N.m is recommended.  
(For reference only. The torsion may be adjusted as necessary.)



Installation completed

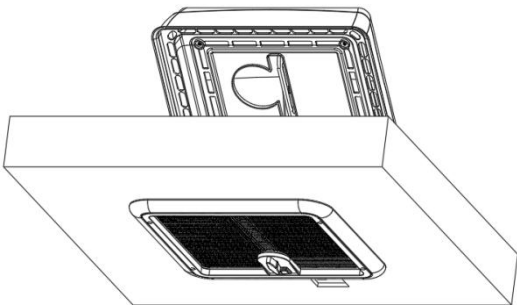
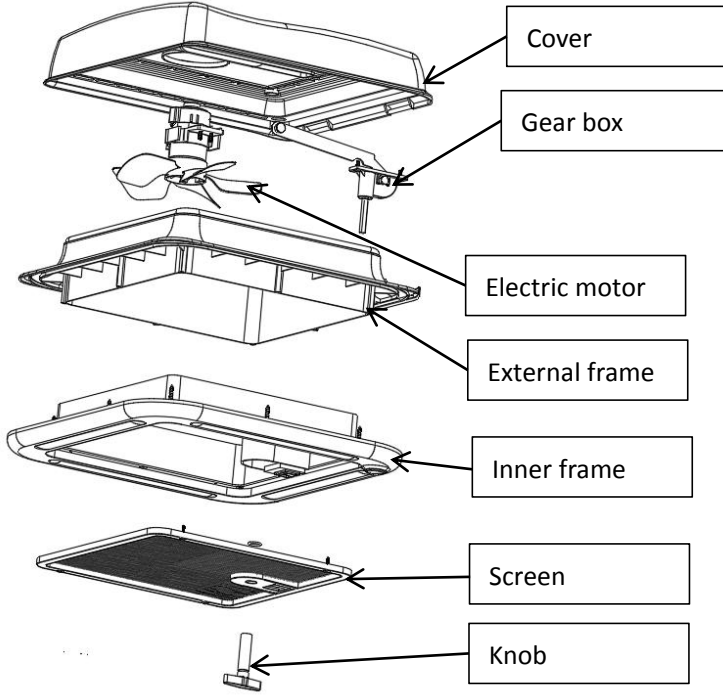


Diagram Replaceable parts



## **\* Operation and maintenance instructions**

- 1. If there is any problem with the product, please contact the dealer.**
- 2. Opening the cover: Turn the knob counterclockwise to open or clockwise to close the cover.**
- 3. Maximum open state: Fully open at 50°.**
- 4. LED lamp (round lamp) switch: Press “-” to turn on and “0” to turn off.**
- 5. Fan switch: LED lamp (round lamp) switch: Press “-” to turn on and “0” to turn off.**
- 6. Motor overheat protection temperature: 85°C.**
- 7. Check that the cover is closed when the vehicle runs or it rains, to prevent the product against damage.**
- 8. When cleaning the inner and outer frames of the ventilator, do not use any cleaning products, chemicals or polishing equipment. Only use water and soft cloth.**
- 9. Dust or debris on the ventilator can be removed with a dust remover. Do not use strong winds in case of damage to the product.**
- 10. The ventilator is designed to be rainwater proof. However, horizontal water flow with high pressure may harm the product.**