

## Spin Dryer



LW642

Please read and understand these instructions before any use of this product, and retain for future reference

## Safety Instructions

To reduce the risk of fire, electric shock and damage:

- Do not expose this device to rain.
- Do not place objects on the unit filled with liquids, such as vases.
- Use recommended accessories only.
- Do not repair this device yourself. Refer repairs to qualified service personnel.
- Do not drop any metal objects into this unit.
- Do not place heavy objects on top of this unit.

Power cord / power supply

- Make sure that the power supply voltage corresponds to the specifications on this unit.
- Plug the power cord into the outlet securely.
- Do not pull, bend or place heavy objects on the power cord.
- Do not handle the plug with wet hands.
- Grasp the plug when pulling out of the electrical outlet.
- Do not use a damaged power plug or a damaged electrical outlet.
- Position this unit so that the power cord can be unplugged immediately if a problem occurs.

Small objects / Packaging Parts

Store small objects (e.g. screws and other mounting hardware) and packaging parts out of the reach of children. Do not let children play with plastic bags - risk of suffocation!

Location

- Set the appliance on a dry, flat, waterproof and heat-resistant surface.
- The socket must be readily accessible to disconnect the unit quickly in an emergency.
- Do not install or position this unit in a confined space. Ensure good ventilation of the unit.
- Do not place near to an amplifier or other equipment that may be hot. The heat can damage the unit.
- Do not expose this unit to direct sunlight, high temperatures, excessive moisture or excessive vibration.

## Intended Use

- This device is used for drying clothing. It is exclusively meant for this purpose and must only be used for this purpose. It may only be used in the manner as described in this manual.  
This product is not designed for use by persons (including children) who have reduced physical, sensory or mental capacities or persons with no experience or knowledge, unless they are instructed and supervised in the use of the appliance by a person responsible for their safety.

## Transport

- Please keep the original packaging. To allow adequate protection during transport of the device, pack the unit in the original packaging.

## Cleaning

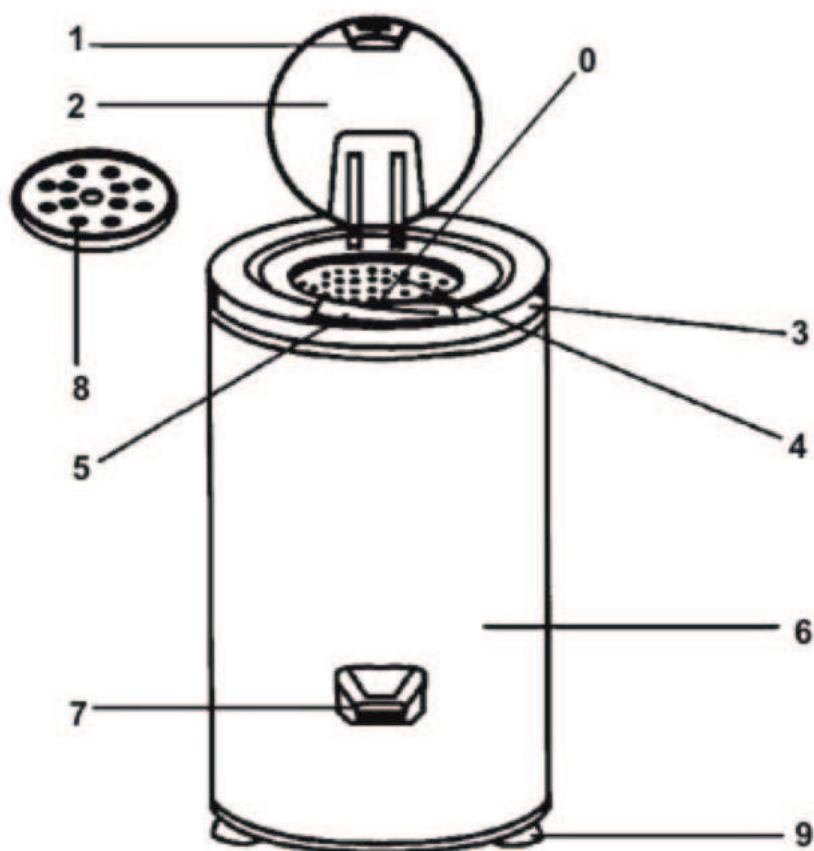
Do not clean the surface using high pressure as this can cause damage. Rubber or plastic should not be left in contact with the device for any length of time. Clean the appliance and the floor using a soft cloth and warm water, if necessary, a soap solution. Never submerge the base in water or any other liquid.

## Repairs

- Repairs to the appliance should only be carried out by a qualified person.
- Any modification of this product will increase risk of damage and/or injury.
- Do not open or remove casing and attempt repairs yourself.
- Incorrect reassembly may result in malfunction or total failure.
- Opening, tampering or removing the casing of this product will void your warranty.

## Product Description

- 0 Child lock
- 1 Lid fastener
- 2 Lid
- 3 Handles
- 4 Inner tub
- 5 Switch
- 6 Main body
- 7 Drain spout
- 8 Safety cover
- 9 Rubber feet



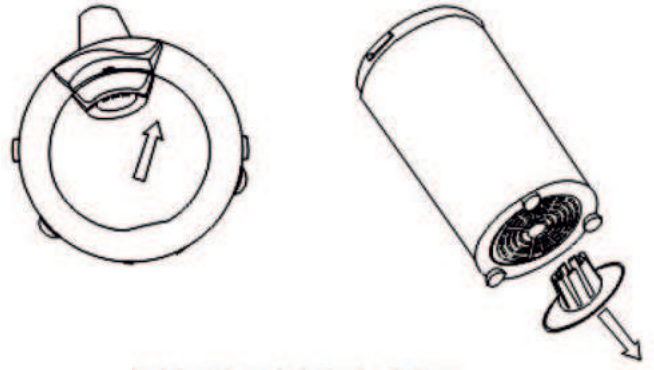
## Use and Operation

### Before first Use

- Before using your spin dryer for the first time, remove the foam inside the inner tub and clean inside with a wet clean cloth and a non-polishing detergent.
- Remove the black, round motor locking device from the bottom of the unit. This prevents the motor from moving around and potentially damaging the machine during shipping.
- Check to make sure your electric supply is 220-240V/50Hz and properly earthed.
- Plug in the machine and make sure it is properly connected to the power supply.
- With the switch handle (5) in the (0) position, open the lid(2).
- Place a container under the drain spout to catch the water. It is helpful to do this before loading the clothes, as in some cases water can come out of the drain spout before operating the machine.

## Removing the Motor Locking System

- Move the handle towards the position indicate by the arrow.
- Remove the motor locking system.



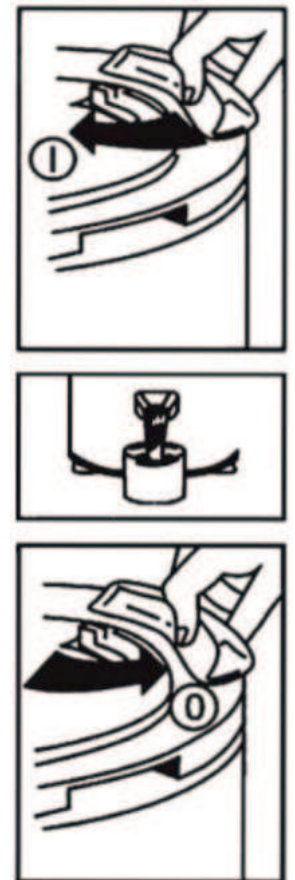
## How to properly load the Spin Dryer

- Load each article of clothing in an extended manner. The lightest articles, such as socks, slaps, handkerchiefs, etc. should be put in the middle of the load.
- Try to prevent open spaces between items when loading the clothes, as this can potentially cause an unbalanced load.
- After loading, insert the round safety Cover inside the inner tub, on top of The clothes. Do not use an excessive amount of force cover inside the inner tub on top of the clothes.
- The safety cover prevents clothes from leaving the inner tub and potentially damaging the machine. Also, pressing down on the clothes with the safety cover can help balance the load.



## Operation

1. Close the lid (2). Move the switch handle (5) to the on position (1). The machine will start automatically.
2. Important: The spin dryer is equipped with a special safety feature, which prevents you from moving the switch handle to the on position (1) while the lid (2) is open.
3. If the spin dryer starts shaking or moving, stop it by turning the switch handle to the (0) position, balance the load and start again.
4. When the spin dryer starts, water will start flowing out of the drain spout (7). Place small container under the drain spout to catch the water. When water stops flowing out of the drain spout (normally in about 2-3 minutes, depending on the type of clothes), you stop the machine by moving the switch handle (5) to the (0) position.
5. Open the lid (2) when the inner tub (4) has come to a complete stop. The spin dryer is equipped with a special electronic lock which does not allow the lid to be lifted while the inner tub (4) is still spinning. Do not try to force it open before it unlocks after 10 seconds time delay. The inner tub may spin very slowly for up to around 10 seconds when plugged in, before you turn the machine. This is not a product defect, nor does it present any safety issue due to the extremely low speed. It is due to a small amount of electricity stored in the capacitor.



## Cleaning and Care

- After using the spin dryer, unplug the power cord from the wall socket.
- Tilt the machine in the direction of the drain spout to remove any remaining water.
- To clean plastic and metal parts, such as the inner drum, use a non-polishing detergent. Do not use solvents, kerosene, petrol, etc. Do not wash the machine. Wrap the cord around the upper cover for storage.
- To carry or lift the machine, use the handles (3). Never lift it from the drain spout or power cord.
- Keep your spin dryer stored Indoors, in a clean, dry place.

### Caution

- Before unplugging the spin dryer, always put the switch handle in the (0) position.
- Never unplug the machine by pulling the cord, always pull the plug.
- Always use under direct supervision. If you need to leave, stop the machine first.
- Never put footwear, back packs, teddy bears or similar items into the spin dryer.
- This appliance is not intended for use by persons (including children) with reduced physical, sensory or mental capabilities, or lack of experience and knowledge. Unless they have been given instruction concerning use of the appliance by a person responsible for their safety.
- To avoid risk always have parts replaced by a qualified technician.

## Advice on Disposal



According to the European waste regulation 2002/96/EC this symbol on the product or on its packaging indicates that this product may not be treated as household waste. Instead it should be taken to the appropriate collection point for the recycling of electrical and electronic equipment. By ensuring this product is disposed of correctly, you will help prevent potential negative consequences for the environment and human health, which could otherwise be caused by inappropriate waste handling of this product. For more detailed information about recycling of this product, please contact your local council or your household waste disposal service.



We have over 1000 car and leisure products in our range.  
To find out more follow us on social media.

Search **“Streetwize”**    

Visit our website, [www.streetwizeaccessories.com](http://www.streetwizeaccessories.com) to:

 [Download Manuals](#)  [Contact Us](#)  [Browse our Range](#)

Streetwize is on  YouTube

CHECK OUT OUR EXTENSIVE RANGE WITH  
OUR EASY-TO-FOLLOW PRODUCT VIDEOS

Subscribe to **“Streetwize  
Leisurewize Official”** today



**Streetwize:** Ashburton Road West,  
Trafford Park, Manchester M17 1RY

[www.streetwizeaccessories.com](http://www.streetwizeaccessories.com)

**For product support:**

**E:** [support@streetwizeaccessories.com](mailto:support@streetwizeaccessories.com)

**T:** +44 (0)161 447 8597

**For trade enquiries:**

**E:** [sales@streetwizeaccessories.com](mailto:sales@streetwizeaccessories.com)

**T:** +44 (0)161 447 8580