

THETFORD



Cassette Toilet C400 Series

Installation Manual

EN

Original Installation Manual

Contents

1	Introduction.....	2
2	Symbols.....	2
3	Regulations and standards.....	3
4	Serviceability.....	3
5	Before installation.....	3
6	Position and placement.....	4
7	Connecting electricity.....	10
8	After installation.....	11
9	Technical specifications.....	12
10	Servicing.....	12
11	Questions / customer service.....	12

1. Introduction

This is the installation manual for the Thetford C402-X and C403-L toilet. The manual is meant for those installing the toilet in a mobile leisure vehicle. Read the information and instructions carefully and follow them strictly to install the toilet safely and correctly.

Also read the warnings in the user manual before testing the toilet after installation.

Our policy is one of continuous development and improvement. Specifications and illustrations may change subsequent to publication.

For the latest version of this manual, please visit www.thetford.com.



If the appliance is not installed in accordance with national and European regulations, rules and standards this will void the warranty.

2. Symbols

Key to symbols:



Warning. Risk of injury and/or damage.



Attention. Important information.



Note. Additional information.

3. Regulations and standards



Do not modify this appliance, unless the modification is authorised and carried out by the manufacturer or their agent.



Use only genuine and approved parts and materials.



Wear the correct Personal Protective Equipment during the installation. Also follow the applicable safety regulations.

EN

4. Serviceability

The installer of Thetford products is responsible for proper installation to ensure the correct functionality and serviceability of the appliance. In terms of serviceability, this means that a dealer or an authorised Thetford service partner must be able to de-install and re-install the Thetford products within the time that is allowed according to the Thetford time-list, using standard tools and equipment.

This is to claim any warranty during the period of 3 years after purchase date. In case of any queries on this subject, please contact the Thetford local service representative before installing the product.

5. Before installation

Check the contents of the box:

- C402-X or C403-L toilet
- Flow restrictor
- Wall bracket incl. screws
- User manual
- Installation manual

Gather the required tools:

- Drill with 3 and 8mm drill bits
- Electric saw
- Philips screwdriver no.2
- Ruler
- Marker/pencil
- Butyl sealant
- Safety glasses



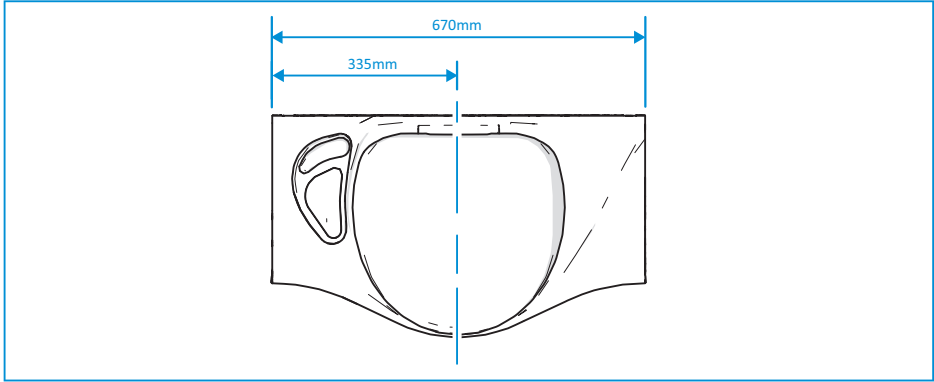
If something is missing from the box, please contact your dealer.



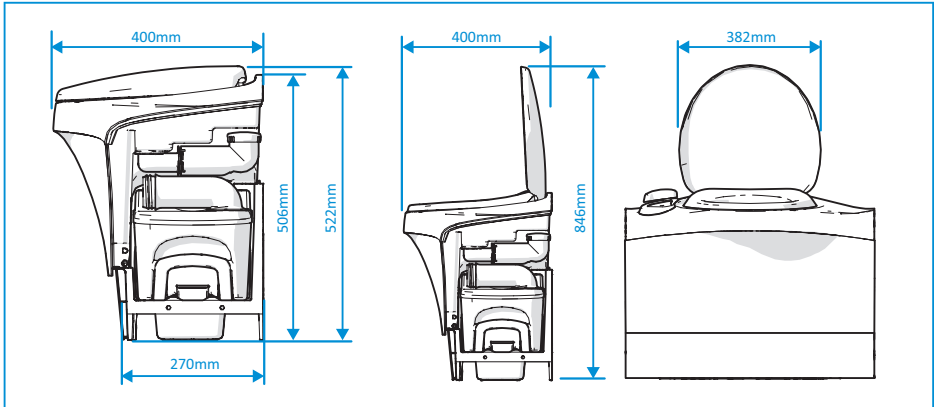
A service door is needed for the installation of this toilet. Please refer to D3 Instruction Manual and Template for the cut-out dimensions.

6. Position and placement

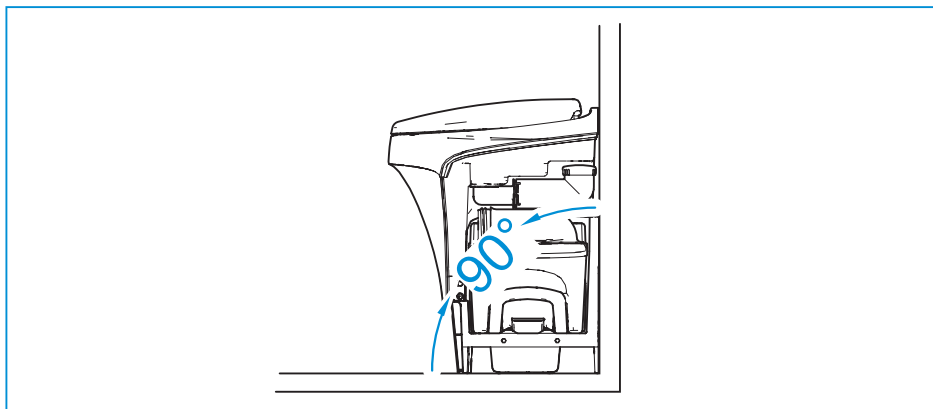
- The main bathroom dimensions:



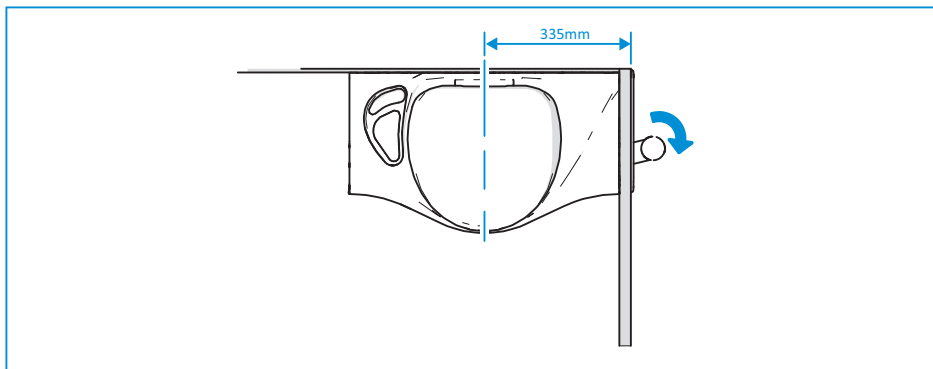
- The other dimensions:



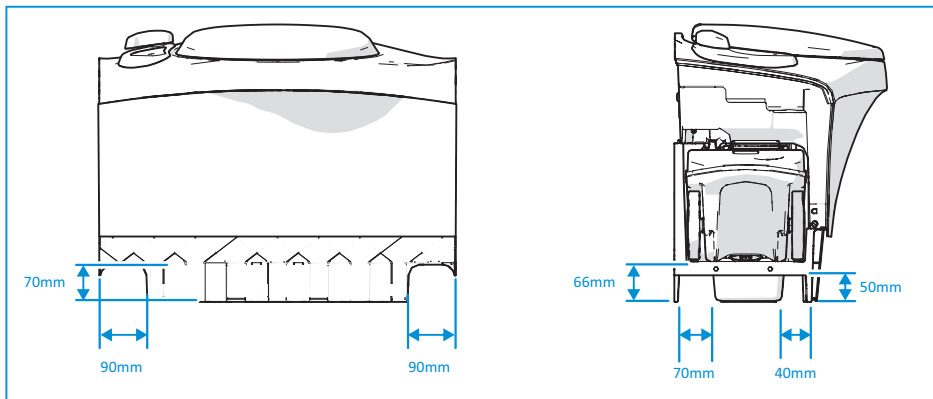
- The floor-wall angle:



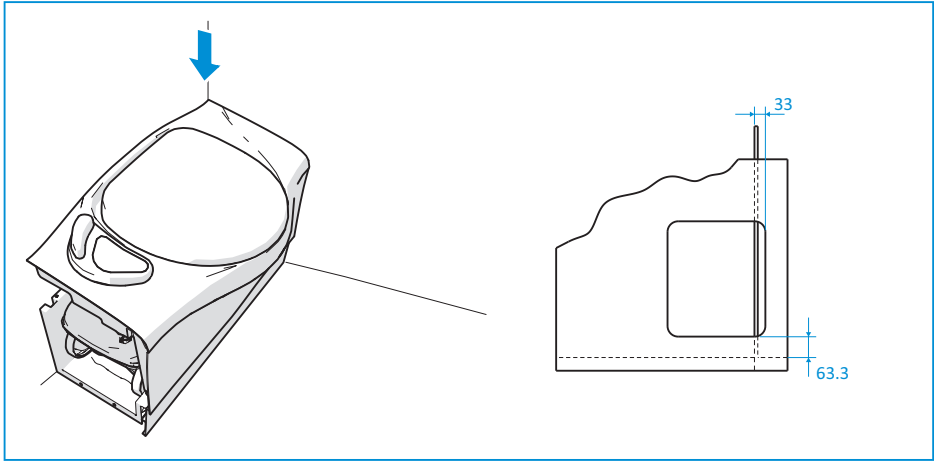
- The distance to the outside wall:



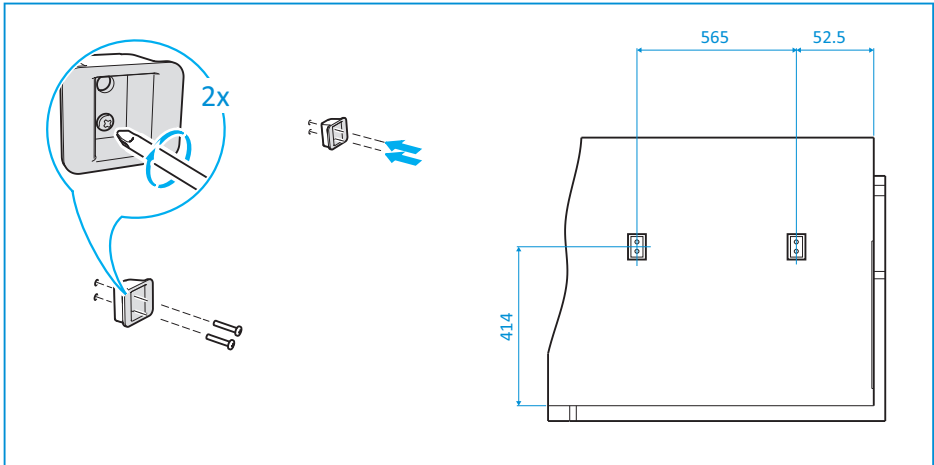
- The available space underneath the toilet:



- Create a cut-out in the back wall according to template D3.

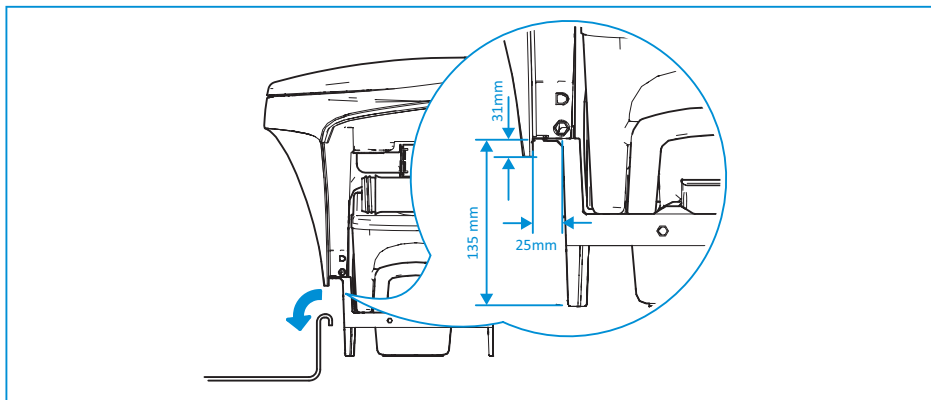


- Check if the service door fits on the outside wall of the vehicle.
- Create the wall cut-outs for the service door.
- Install the service door according to the instructions of the door.
- Mount the wall brackets with the screws provided by Thetford.



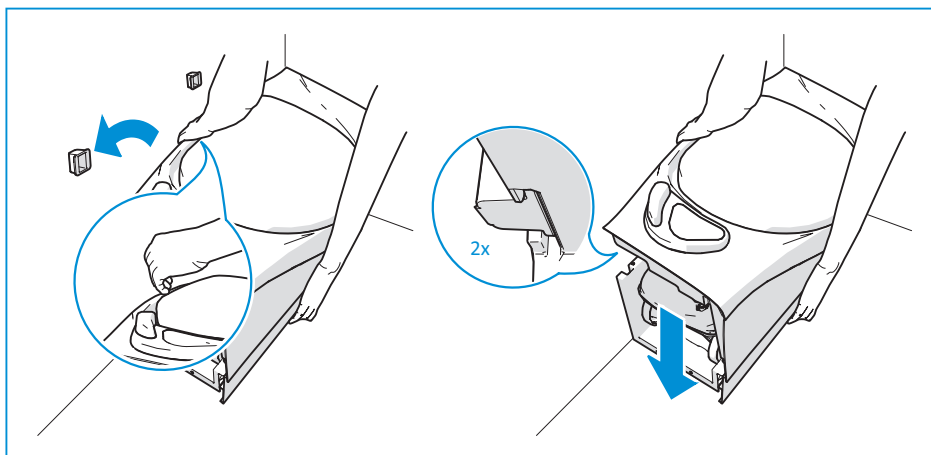
In addition, the toilet can be mounted to the wall with four screws. Remove the seat and cover to locate the positions and drill holes accordingly.

- Install the shower tray, if applicable. Before installation make sure to first remove the kicking plate.

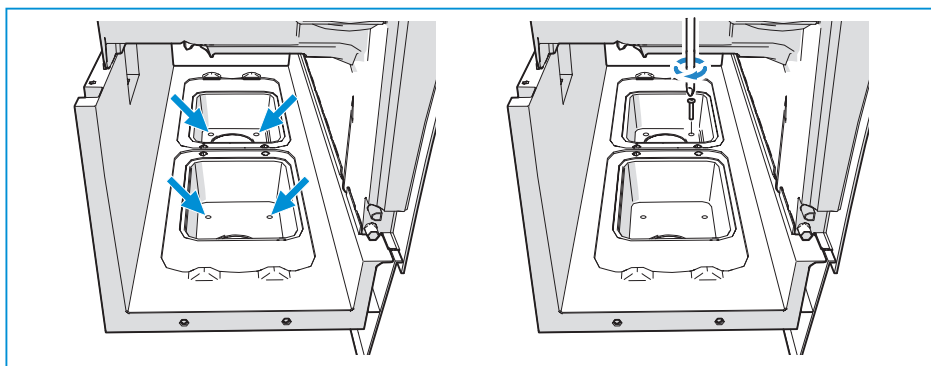


EN

- Connect the toilet to the wall bracket.



- If desired, drill four holes and mount the toilet to the floor with screws.





Required torque: $1.2 \pm 0.3\text{Nm}$ for a Plywood floor.

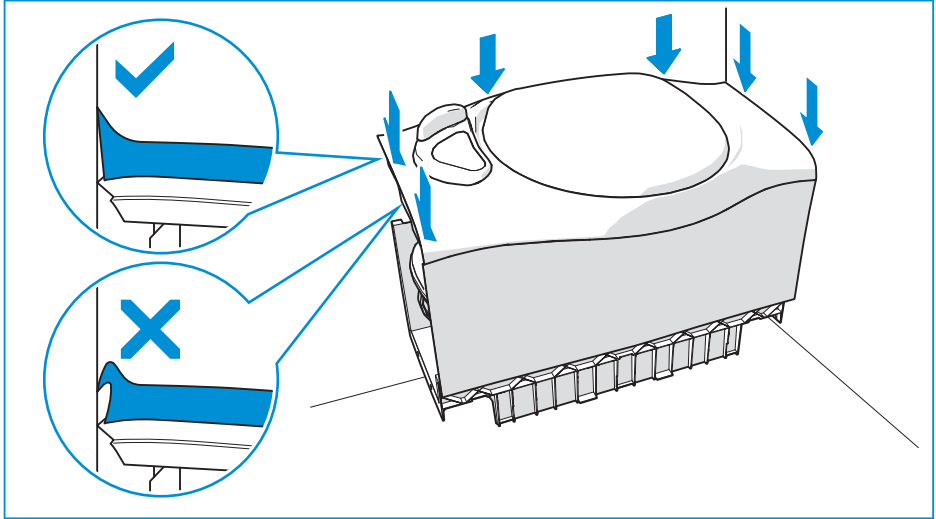


Use stainless steel screws.



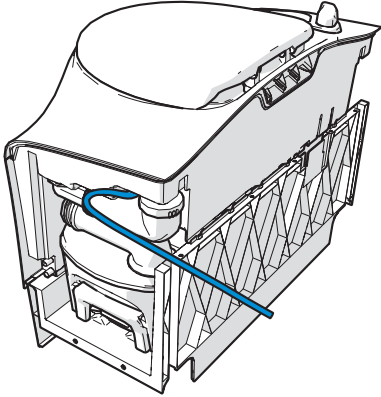
Torque may differ if the floor is made from a different material.

- Ensure the wall seal is positioned correctly.



Only for C403-L

- Connect the water hose to the central water tank of the vehicle.

Diameter	Inside: 10mm Outside: 16mm
Length and position	Left-handed toilet: 330mm from the side of the toilet Right-handed toilet: 670mm from the side of the toilet 
Required pressure remote pump at the toilet inlet	Min. 0.5bar at 6L/min Max. 0.8bar at 8L/min
Maximum allowable pressure on hose	Europe: 4bar AUS/China/US: 8bar

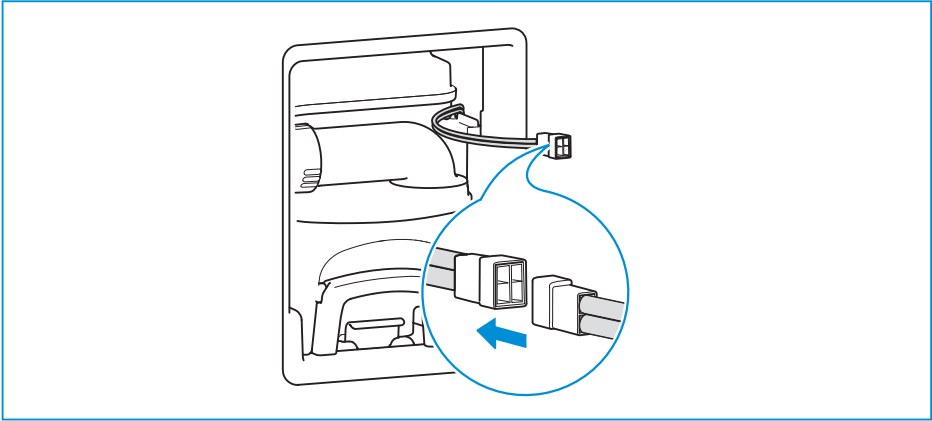
EN




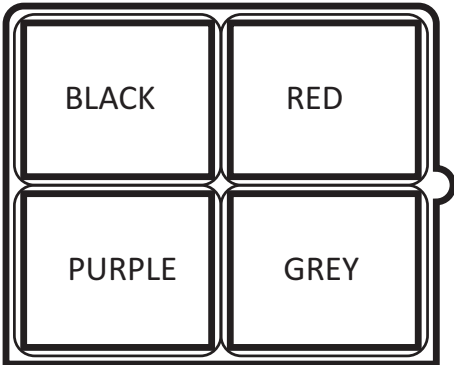
Meet the required pressure for the remote pump at the toilet inlet to ensure correct flush. If the pressure is too high, install a flow reducer.

7. Connecting electricity

- Connect the cable.



- Use the following values to connect the power supply.

Operating voltage	10–15V (power supply must be able to deliver 3A at rated voltage)  The voltage must be between 11.4V and 13.8V to be able to achieve full bowl coverage flush.
Connection	C402-X: wire or bare ends C403-L: 4 pole connector plug.
Position wiring in tab housing	
4 pole connector on toilet	TYCO/AMP 180901
4 pole connector counter part	TYCO/AMP 180900
Thickness black and red	0.75mm ²
Thickness grey and purple	1.5mm ²

- Make sure it is possible to drain the water system completely to prevent frost damage.
- Check if the waste-holding tank can be removed and placed back.
- Check if the doors open and close properly.
- Ensure the doors are waterproof after installation.

9. Technical specifications

Table 1: Dimensions and weight

	C402-X toilet	C403-L toilet
Empty weight	8.8kg	8.1kg
Capacity waste-holding tank	19.3L	19.3L
Level indication waste-holding tank	3 levels	3 levels
Capacity flush-water tank	15L	N/A
Level indication flush-water tank	3 levels	N/A

10. Servicing

All servicing must be carried out by an approved competent person.

For service, please contact your authorised local Service Centre giving details of the model and serial number on the data badge plus date of purchase.

The data badge can be found on the base of the toilet.



11. Questions / customer service

- Visit www.thetford.com.
- Contact Customer Service Thetford in your country. See the addresses on the back.

EUROPEAN HEADQUARTERS

Thetford B.V.
Nijverheidsweg 29
P.O. Box 169
4870 AD Etten-Leur
The Netherlands

T +31 76 504 22 00
F +31 76 504 23 00
E info@thetford.eu

UNITED KINGDOM

Thetford Ltd.
Unit 6
Brookfields Way
Manvers, Rotherham
S63 5DL, England
United Kingdom

T +44 844 997 1960
F +44 844 997 1961
E info@thetford.eu

GERMANY

Thetford GmbH
Schallbruch 14
D-42781 Haan
Deutschland

T +49 2129 94250
F +49 2129 942525
E info@thetford.eu

FRANCE

Thetford S.A.R.L.
Parc BURDPLUS / Bâtiment 6
18, Boulevard de la Paix
95800 CERGY
France

T +33 1 30 37 58 23
F +33 1 30 37 97 67
E info@thetford.eu

ITALY

Thetford Italy c/o Tecma s.r.l.
Via Flaminia
Loc. Castel delle Formiche
05030 Otricoli (TR)
Italia

T +39 0744 709071
F +39 0744 719833
E info@thetford.eu

SPAIN AND PORTUGAL

Mercè Grau Solà
Agente para España y Portugal
c/ Castellet, 36 bxs 2ª
08800 Vilanova i la Geltrú
Barcelona
España

T +34 938 154 389
F not available
E info@thetford.eu

SCANDINAVIA

Thetford B.V.
Representative Office Scandinavia
Hantverkaregatan 32D
521 61 Stenstorp
Sverige

T +46 31 336 35 80
F +46 31 44 85 70
E info@thetford.eu

AUSTRALIA

Thetford Australia Pty. Ltd.
41 Lara Way
Campbellfield VIC 3061
Australia

T +61 3 9358 0700
F +61 3 9357 7060
E infoau@thetford.eu
www.thetford.com.au

CHINA

Thetford China
Rm. 1207, Coastal Building
{East Block}
Haide 3rd Road, Nanshan District
Shenzen, 518054
China

T +86 755 8627 1393
F +86 755 8627 1673
E info@thetford.cn
www.thetford.cn